

Destination ImagiNation®

Instant Challenge

2005 Affiliate Competition – Entry Level

THAT HAS A NICE RING TO IT

Challenge: Your **TASK** is to create devices that will help you put as many rings around a pole as possible.

Time: You will have up to 5 minutes to use your **IMAGINATION** to make devices that will help you put rings around a pole and practice, and then up to 1 minute to place rings around a pole for score.

Set-up: In the center of the room is a pole within a taped square. There is also a table with materials that you may use to create your devices, as well as rings to place around the pole.

Procedure:

•**Part One** (5 minutes): Use the materials on the table to create devices that will help you put the rings around a pole. You may also use Part One to practice putting the rings around the pole. At the end of Part One, all of the rings will be returned to the table.

•**Part Two** (1 minute): Use your devices to place rings for score. **During Part Two, no part of a team member's body may cross over one of the taped lines.** Any rings that are placed while any part of a team member's body is across a taped line will not be scored. Rings may NOT be thrown, but must be placed using team-created devices. You may retrieve any rings that fall into the taped square as long as you stay behind the taped lines. At the end of Part Two, the Appraisers will count the number of each type of ring that is around the pole.

Materials:

2 Yardsticks (Metersticks)	2 Plastic Forks	4 Mailing Labels	36 in (90 cm) of String
1 Piece of Heavy Paper	1 Paper Cup	6 Paper Clips	4 Chenille Sticks (Pipe Cleaners)
1 Sheet of Newspaper	4 Pencils	1 Pair of Tongs	24 in (60 cm) Piece of Wire

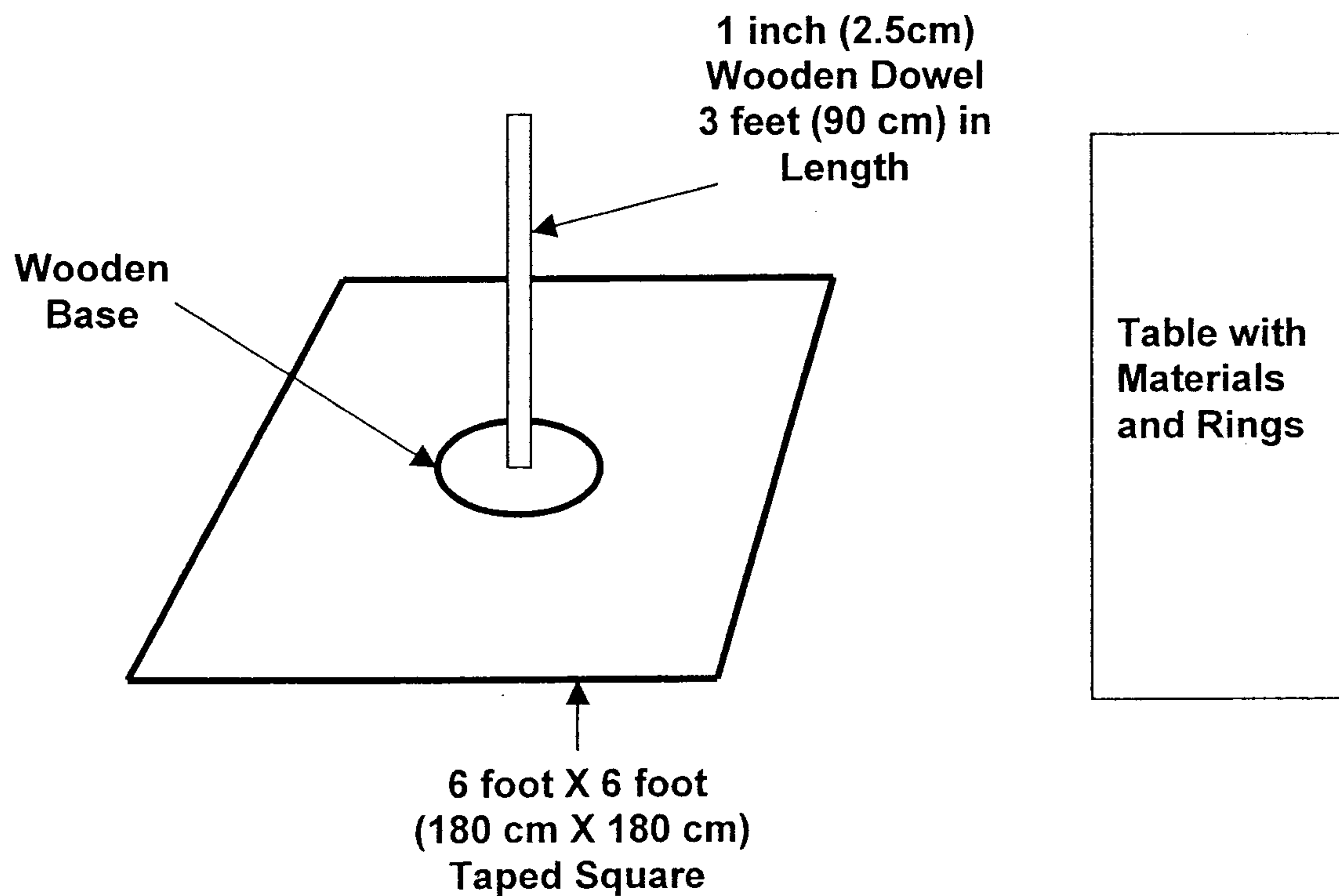
You will be given the following "rings:" 5 hula hoops, 5 plastic rings, and 6 large rubber bands. The yardsticks (metersticks), tongs, hula hoops and rings may NOT be damaged and may NOT have the mailing labels attached to them.

Scoring: You will receive

- 2 points (10 points maximum) for each hula hoop placed around the pole.
- 4 points (20 points maximum) for each plastic ring placed around the pole.
- 5 points (30 points maximum) for each rubber band placed around the pole.
- Up to 20 points for how creatively you attempt to solve the **TASK**.
- Up to 20 points for how well your team works together.

For Appraisers Only:

1. The set-up consists of a 1 inch (2.5 cm) wooden dowel that is 3 feet (90 cm) long attached to a base in the center of a 6 foot X 6 foot (180 cm X 180 cm) taped square. There is also a table with materials, as well as the rings.



TEAM COPY

Destination ImagiNation®
THAT HAS A NICE RING TO IT

Challenge: Your **TASK** is to create devices that will help you put as many rings around a pole as possible.

Time: You will have up to 5 minutes to use your **IMAGINATION** to make devices that will help you put rings around a pole and practice, and then up to 1 minute to place rings around a pole for score.

Set-up: In the center of the room is a pole within a taped square. There is also a table with materials that you may use to create your devices, as well as rings to place around the pole.

Procedure:

Part One (5 minutes):

- Use the materials on the table to create devices that will help you put the rings around a pole.
- You may also use Part One to practice putting the rings around the pole.
- At the end of Part One, all of the rings will be returned to the table.

Part Two (1 minute):

- Use your devices to place rings for score.
- **During Part Two, no part of a team member's body may cross over one of the taped lines.**
- Any rings that are placed while any part of a team member's body is across a taped line will not be scored.
- Rings may **NOT** be thrown, but must be placed using team-created devices.
- You may retrieve any rings that fall into the taped square as long as you stay behind the taped lines.
- At the end of Part Two, the Appraisers will count the number of each type of ring that is around the pole.

Scoring: You will receive

- A. 2 points (10 points maximum) for each hula hoop placed around the pole.
- B. 4 points (20 points maximum) for each plastic ring placed around the pole.
- C. 5 points (30 points maximum) for each rubber band placed around the pole.
- D. Up to 20 points for how creatively you attempt to solve the **TASK**.
- E. Up to 20 points for how well your team works together.

THAT HAS A NICE RING TO IT

Materials:

(Tape to Table)

- 2 Yardsticks (Metersticks)
- 2 Plastic Forks
- 4 Mailing Labels
- 36 in (90 cm) of String
- 1 Piece of Heavy Paper
- 1 Paper Cup
- 6 Paper Clips
- 4 Chenille Sticks (Pipe Cleaners)
- 1 Sheet of Newspaper
- 4 Pencils
- 1 Pair of Tongs
- 24 in (60 cm) of Wire

You will be given the following “rings:” 5 hula hoops, 5 plastic rings, and 6 large rubber bands. The yardsticks (metersticks), tongs, hula hoops and rings may NOT be damaged and may NOT have the mailing labels attached to them.

Destination ImagiNation®

Instant Challenge

THAT HAS A NICE RING TO IT APPRAISER RUBRICS

RUBRIC FOR APPRAISING HOW CREATIVELY TEAM ATTEMPTS TO SOLVE THE TASK

Points	1 – 5	6 – 10	11 – 15	16 – 20
Qualities	<ul style="list-style-type: none"> • Creativity is present and it's somewhat enhanced • The solution applies 	<ul style="list-style-type: none"> • Creativity is present and it's relevant • The solution is complete 	<ul style="list-style-type: none"> • Creativity is present and it's integrated • Chiefly original work 	<ul style="list-style-type: none"> • Creativity is there and it's innovative • AHA! WOW!

RUBRIC FOR APPRAISING TEAMWORK

Points	1 – 5	6 – 10	11 – 15	16 – 20
Qualities	<ul style="list-style-type: none"> • Dominating individual who limits participation of others • Cooperation is minimal • Little sharing of ideas 	<ul style="list-style-type: none"> • Some evidence of individual team member roles • Some cooperation • Some evidence of accepting ideas of others 	<ul style="list-style-type: none"> • Acceptance of team roles above average • Good cooperation • Sharing and acceptance of ideas of others 	<ul style="list-style-type: none"> • Leadership and team roles are easily identified • Diversity of skills mutually respected and evident • Team dynamics are exemplary

Destination ImagiNation®

Team Name: _____ Level: E M S U

Passport Number: _____ Team Challenge: _____

Appraiser's Name: _____

THAT HAS A NICE RING TO IT

INSTANT CHALLENGE INDIVIDUAL SCORE SHEET

Score Element	Range	Team Score
A. _____ # of hula hoops successfully placed on pole	_____ X 2 (10 Points Maximum)	
B. _____ # of plastic rings successfully placed on pole	_____ X 4 (20 Points Maximum)	
C. _____ # of rubber bands successfully placed on pole	_____ X 5 (30 Points Maximum)	
D. How creatively team attempts to solve the TASK	1 – 20	
E. Teamwork	1 – 20	
Total		

Note: Team score elements should be recorded in whole numbers. (No fractions or decimals.)

Destination ImagiNation®

Team Name: _____ Level: E M S U

Passport Number: _____ Team Challenge: _____

THAT HAS A NICE RING TO IT

INSTANT CHALLENGE MASTER SCORE SHEET

Appraiser's Name	Total Score
1.	
2.	
3.	
4.	
Add 1 + 2 + 3 + 4	F.
Divide F by # of Appraisers	G.

NOTE: The division in the final step should be carried out to 3 decimal places.

INSTANT CHALLENGE SCORE

H.

NOTE: Rewrite the final score in the box above. The final score should be rounded to 2 decimal points. Round up if the third decimal is 5 or more.